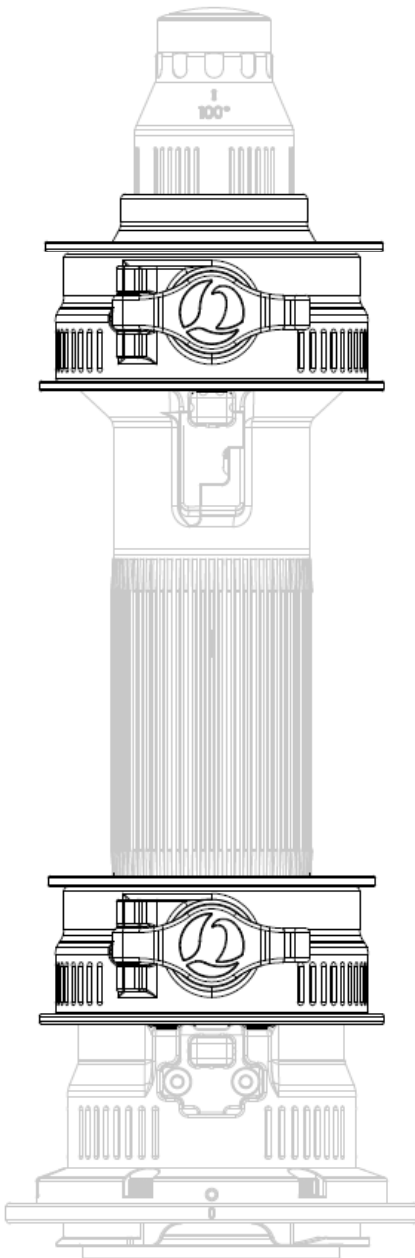


INSTRUCTION MANUAL

Nauticam EMWL Water Jacket Set

PN# 87520



FORWARD

Thank you for your purchase of a NAUTICAM product.

At NAUTICAM, we pride ourselves in the ability to recognize the requirements of professional as well as amateur underwater photographers and fulfill them through the innovative designs of our products. We strive to achieve a high level of user-friendliness by allowing stress-free installation and easy operation of all important functions of the camera.

Each product is individually inspected and water pressure tested to ensure optimum quality.

Please read this manual carefully before using the product, this will maximize its performance as well as its lifetime.

PRECAUTIONS

- After installation of the port combo, please make sure the O-ring (s) are free from debris and uneven surface issues.
- A water-tight/vacuum test without the camera inside the housing is highly recommended after the changing of port and O-ring(s).
- Do not use lubricants from other brands with the silicone rubber O-ring on this housing, only use the lubricant provided by NAUTICAM.
- Discontinue use immediately should you notice any leakage.
- Do not open the product in a wet or sandy environment. Protect the interior from moisture and debris in order to prevent malfunction or leakage.
- Defective products should be shipped to our distributors for service, unauthorized disassembling and/or modifications could result in malfunction or leakage.
- When travelling by air, do not travel with any port installed as this may lead to a pressure difference between the atmosphere and inside the housing.

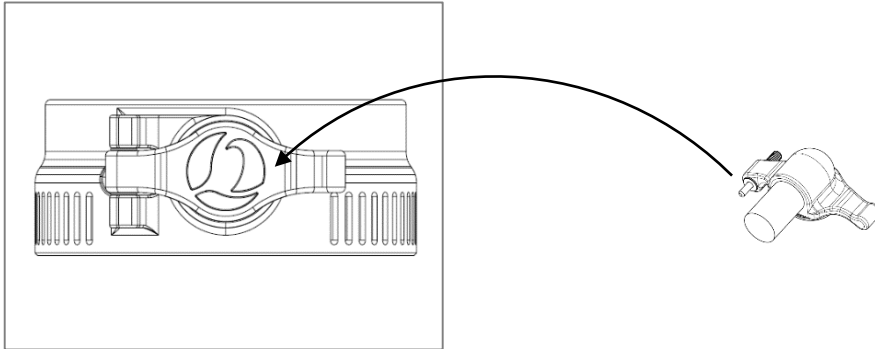
All NAUTICAM Products are warranted against any material and manufacturing defects for two years from the date of purchase for consumer use. This warranty only applies to products purchased from authorized NAUTICAM dealers and does not extend beyond the original retail purchaser.

To return your product for service, please contact your regional authorized service center(s). Please note that this warranty only applies when the product is purchased in the territory where the service center is located.

NAUTICAM does not hold responsibility for damage, of any nature, to any equipment used with and/or placed within our products. NAUTICAM accepts no liability for any loss of captured images or the inability to capture images even if it is due to the malfunctioning of our products.

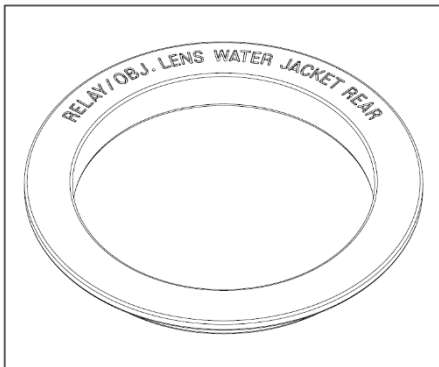
Unauthorized modifications and/or repairs of our products will automatically invalidate the warranty.

IDENTIFICATION OF PARTS

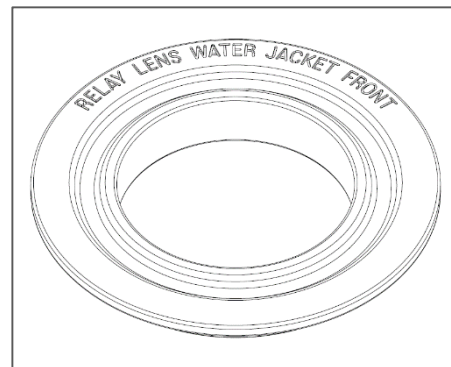


87521 Water Jacket Body x 2

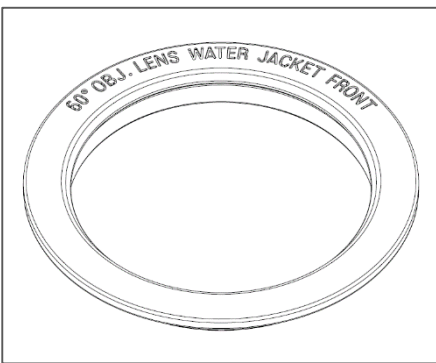
87521C Exchange special cap for Water Jacket use with 60° Objective Lens



87522R Water Jacket Rear Gasket x 2

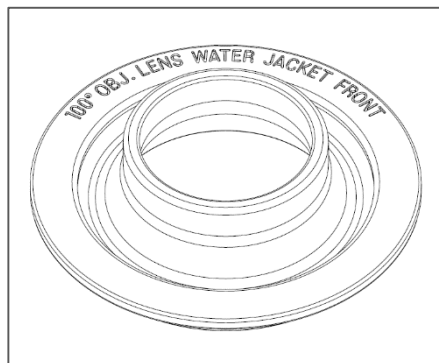


87522S Front Gasket for Straight Relay Lens



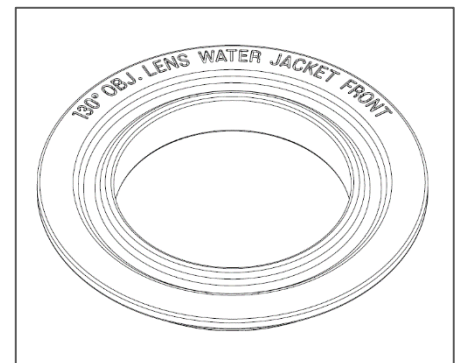
87522A

Front Gasket for 60° Objective Lens



87522B

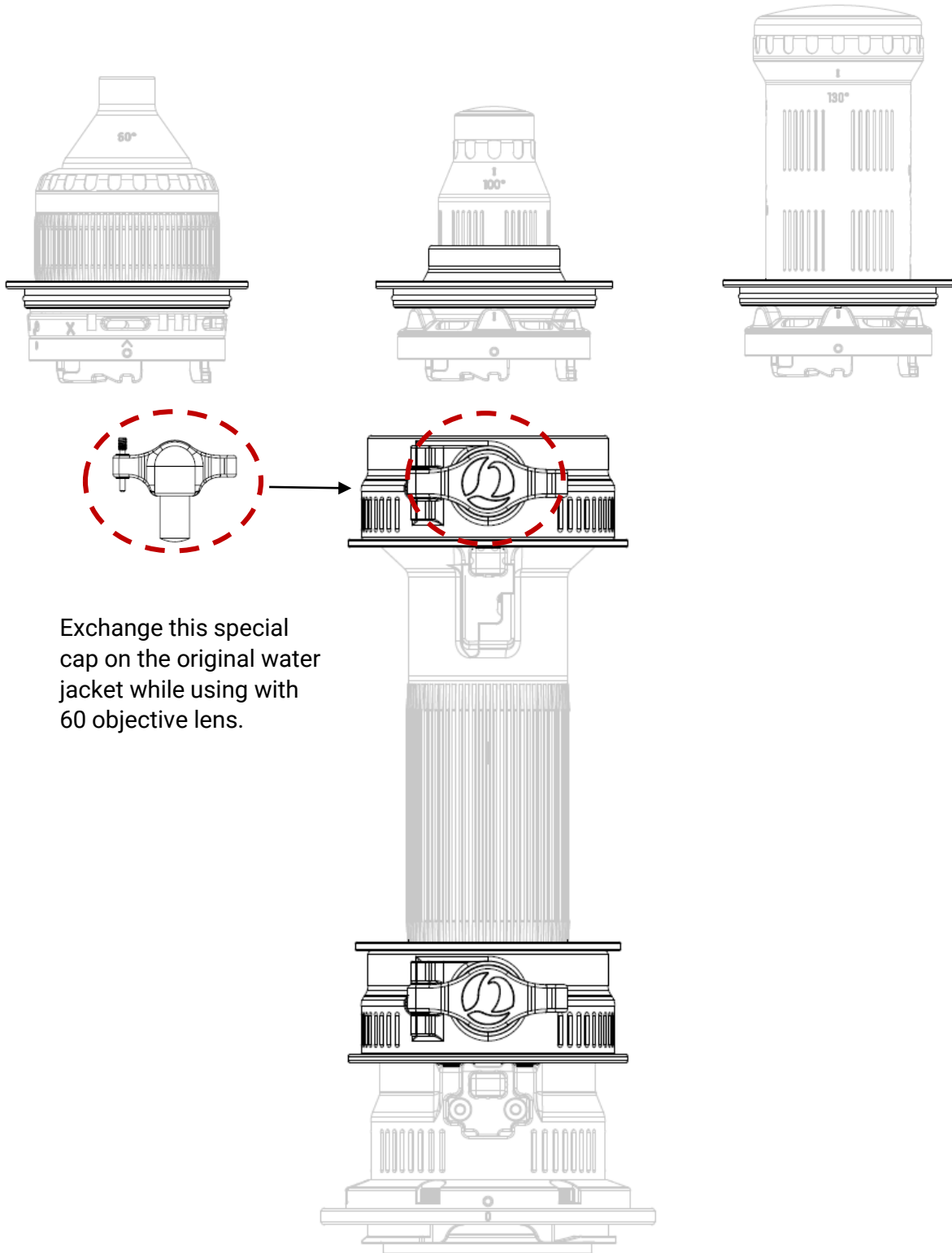
Front Gasket for 160°/ 100° Objective Lens



87522C

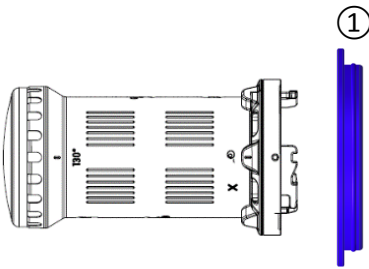
Front Gasket for 130° Objective Lens

POSITION MAP OF PARTS

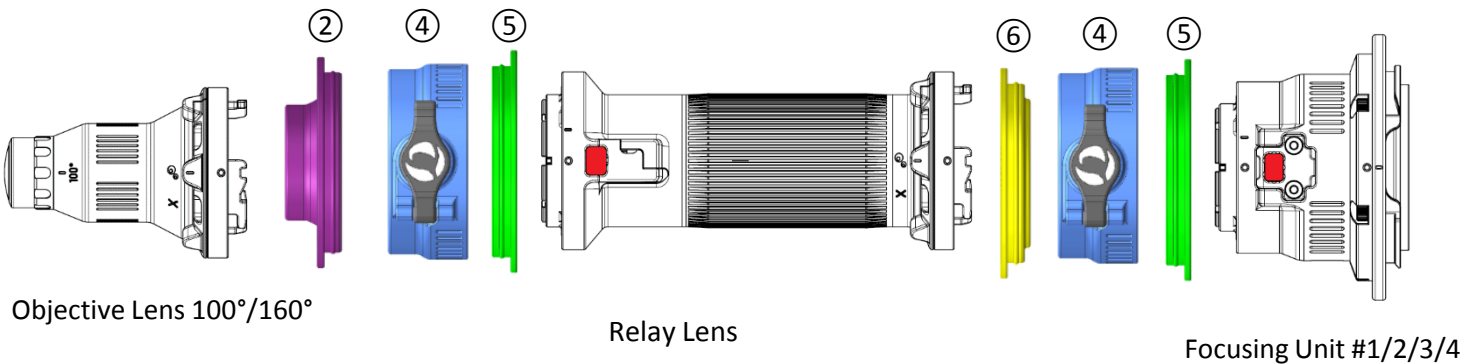


Exchange this special cap on the original water jacket while using with 60 objective lens.

EMWL WATER JACKET SET WITH RELAY LENS



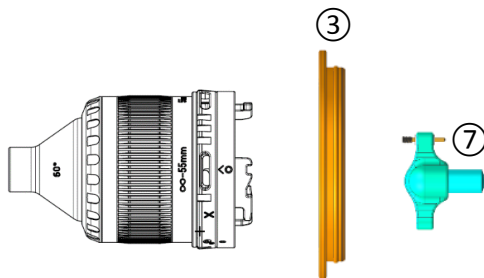
Objective Lens 130°



Objective Lens 100°/160°

Relay Lens

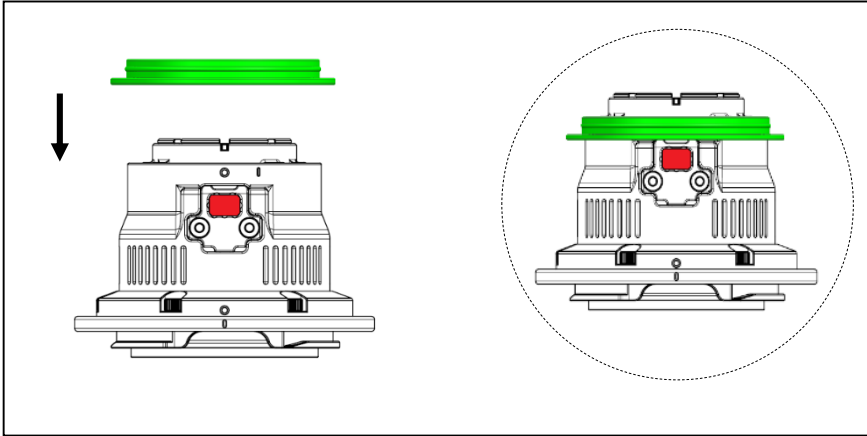
Focusing Unit #1/2/3/4



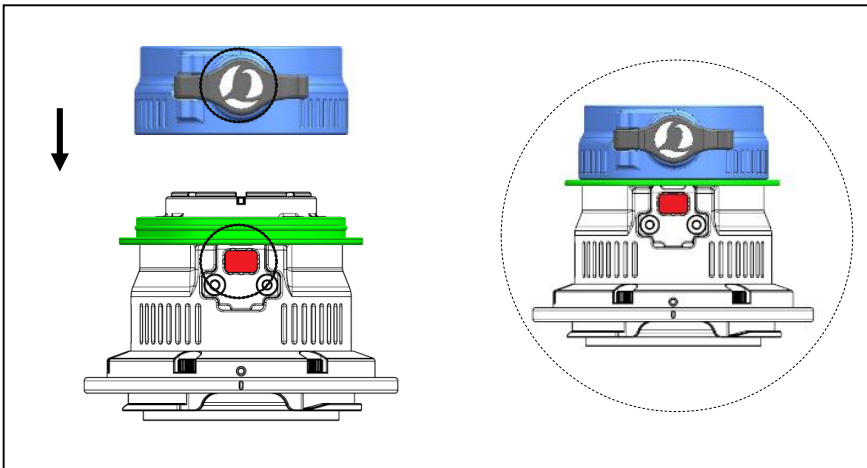
Objective Lens 60°

- ① # 87522C Front Gasket for Objective130° Lens
- ② # 87522B Front Gasket for 160°/ 100° Objective Lens
- ③ # 87522A Front Gasket for 60° Objective Lens
- ④ # 87521 Water Jacket Body
- ⑤ # 87522R Water Jacket Rear Gasket
- ⑥ # 87522S Front Gasket for Straight Relay Lens
- ⑦ # 87521C Special cap for Water Jacket use with 60° Objective Lens

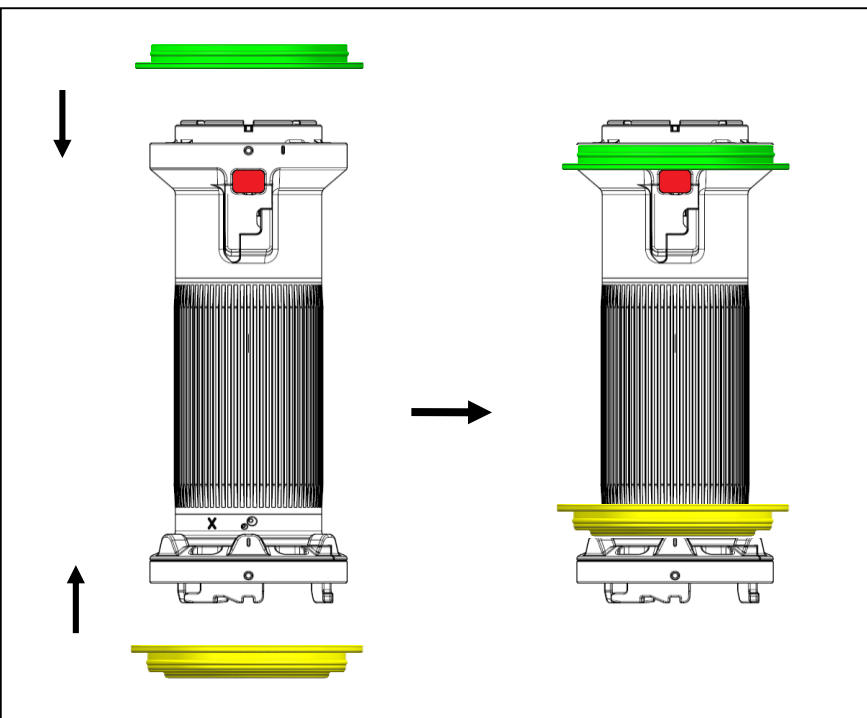
MOUNT WATER JACKET SET WITH RELAY LENS



1. Mount the WJ rear gasket onto EMWL focusing unit as shown.

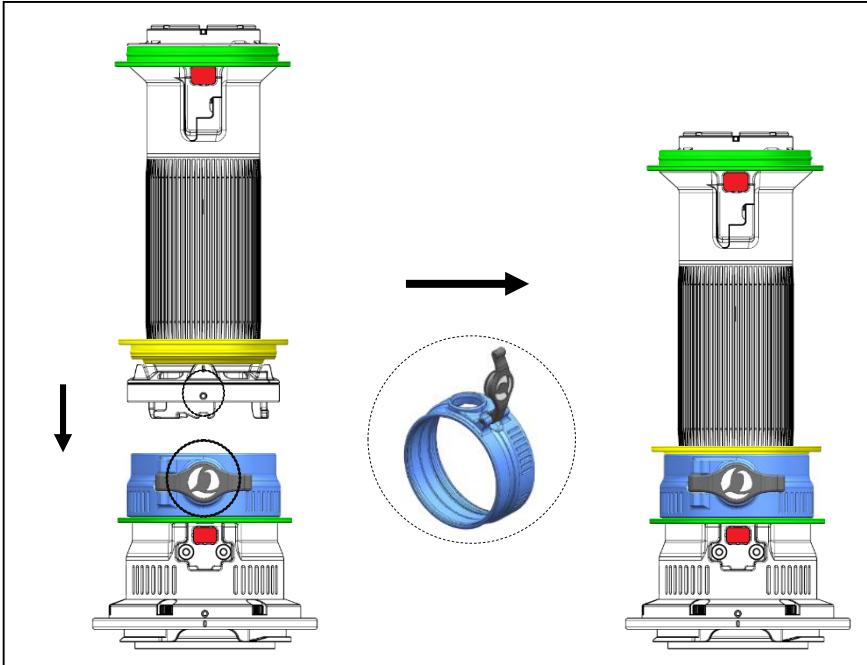


2. Align the center cap of water jacket with the red button on focusing unit. Gently press the water jacket on top of the rear gasket until it goes all in.



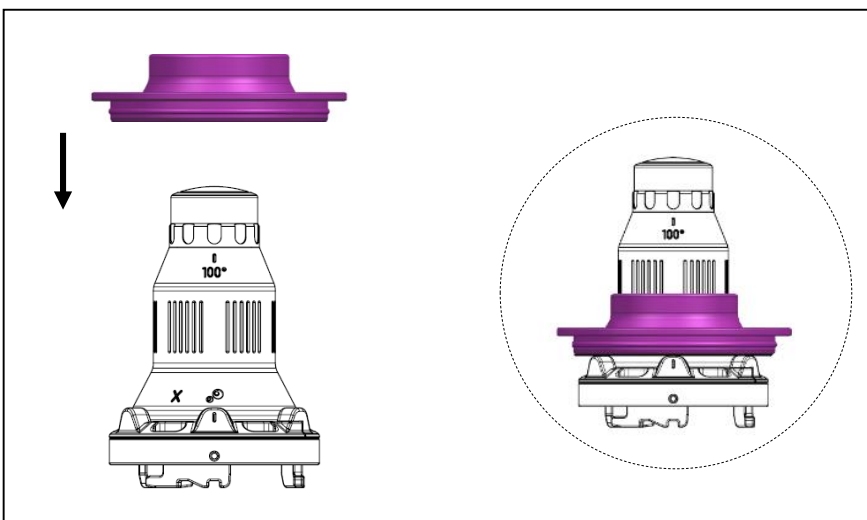
3. Mount the water jacket rear gasket and front gasket respectively as shown in the diagram.

MOUNT WATER JACKET SET WITH RELAY LENS

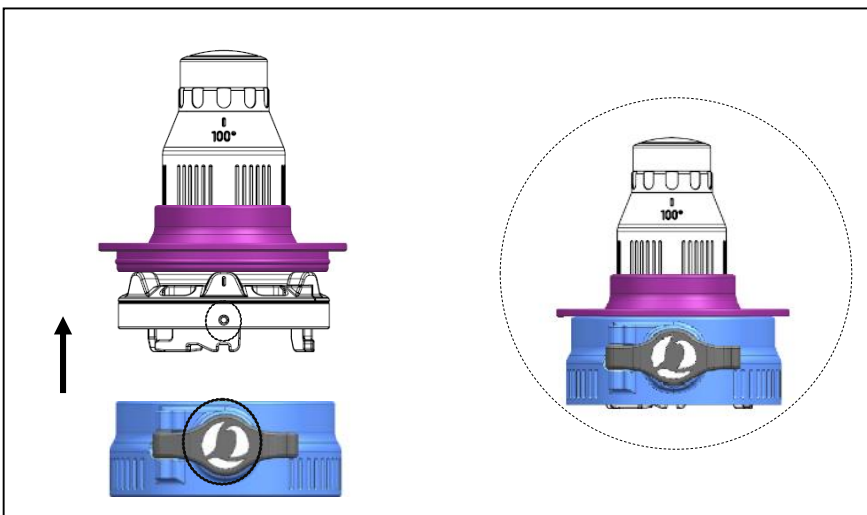


4. Align the "O" mark on the relay lens with the center cap of water jacket. Gently press the gasket on the relay lens into the water jacket (on focusing unit) until it is completely sealed.

Lift the cap open if the gasket can't be sealed into water jacket and close it after the gasket is mounted correctly as shown in the diagram.

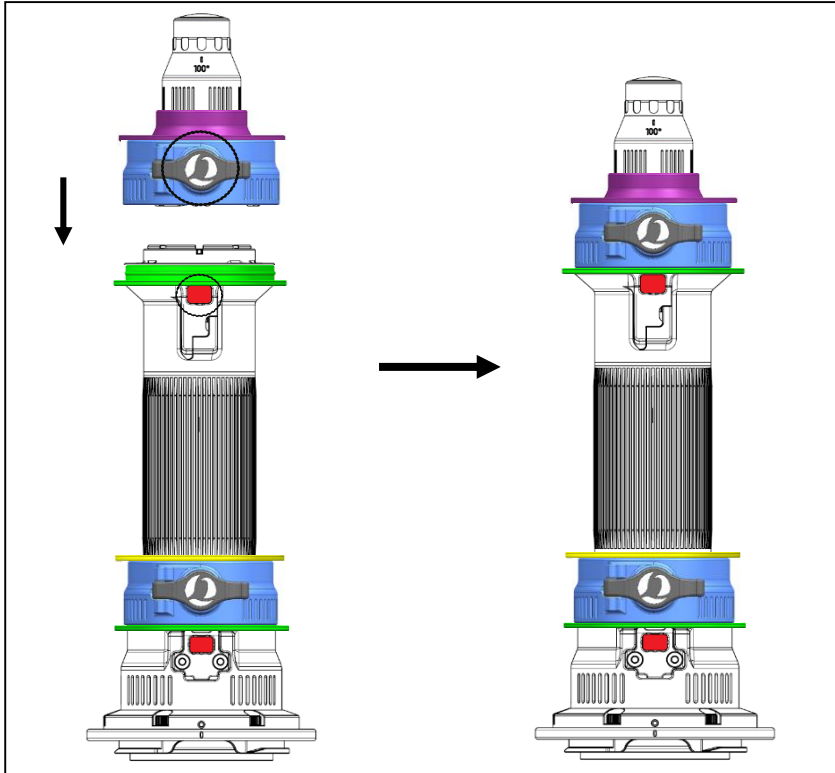


5. Mount the front gasket onto objective lens as shown.

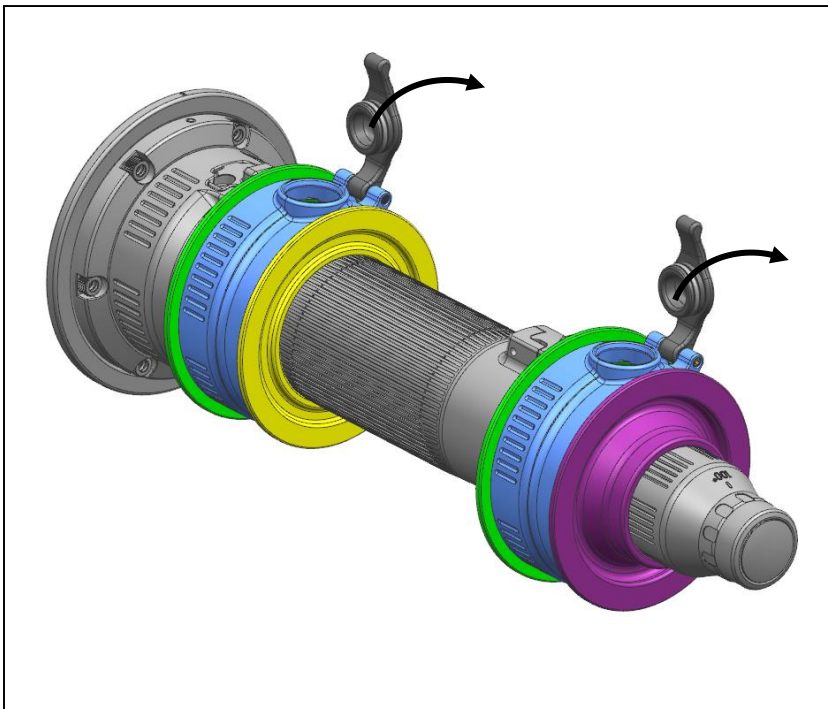


6. Align the "O" mark on the objective lens with the center cap of water jacket. Gently press the gasket into the water jacket until it is sealed completely.

MOUNT WATER JACKET SET WITH RELAY LENS



7. Place the EMWL set on a steady surface. Align the center cap of the water jacket with the red button on the relay lens. Gently press the water jacket into the water gasket until it is sealed evenly as shown.



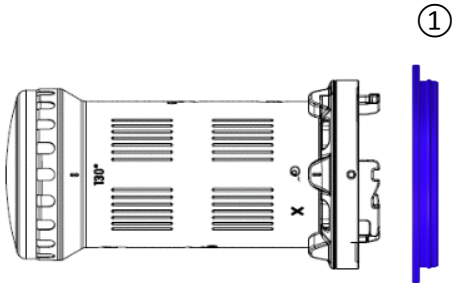
8. Lift the cap of water jacket open, and fill the water jacket with clean water. Close the cap off after done.

To disassemble, please reverse the above steps.

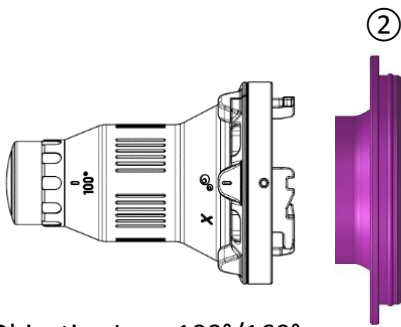
Attach the finished EMWL set to housing port and make some test shots before go diving.

*** Please do not open the water jacket cap underwater. It is designed to use with clean water to prevent particles/dirt from getting into the module joints.**

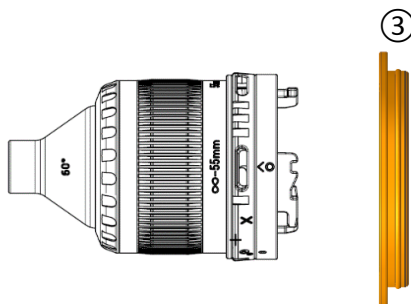
MOUNT WATER JACKET SET WITHOUT RELAY LENS



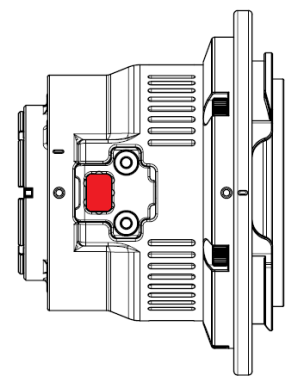
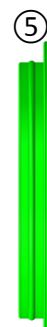
Objective Lens 130°



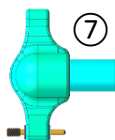
Objective Lens 100°/160°



Objective Lens 60°

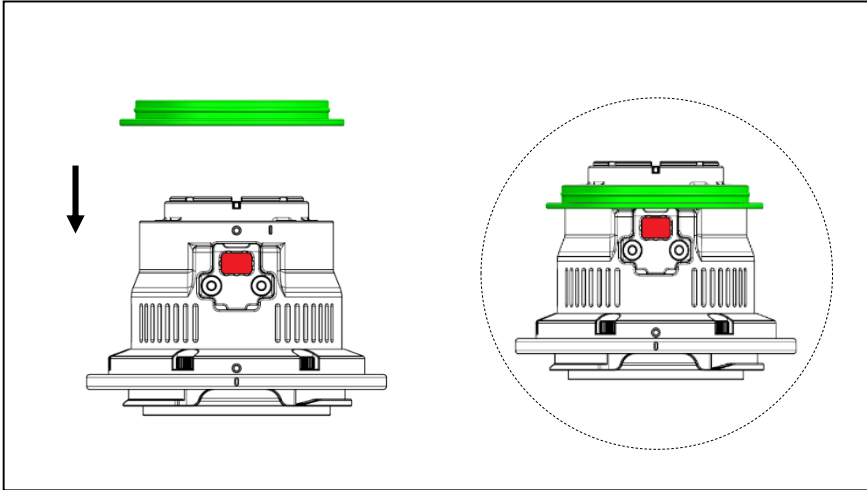


Focusing Unit #1/2/3/4

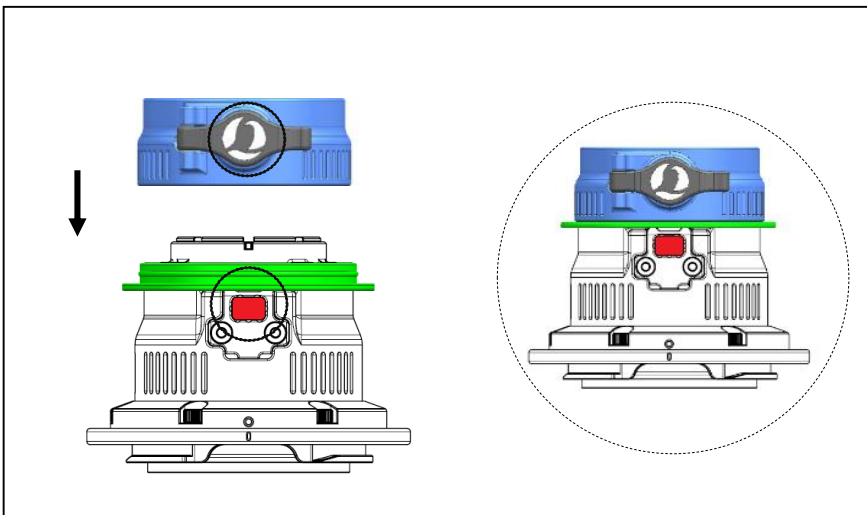


- ① # 87522C Front Gasket for Objective130° Lens
- ② # 87522B Front Gasket for 160°/ 100° Objective Lens
- ③ # 87522A Front Gasket for 60° Objective Lens
- ④ # 87521 Water Jacket Body
- ⑤ # 87522R Water Jacket Rear Gasket
- ⑦ # 87521C Special cap for Water Jacket use with 60° Objective Lens

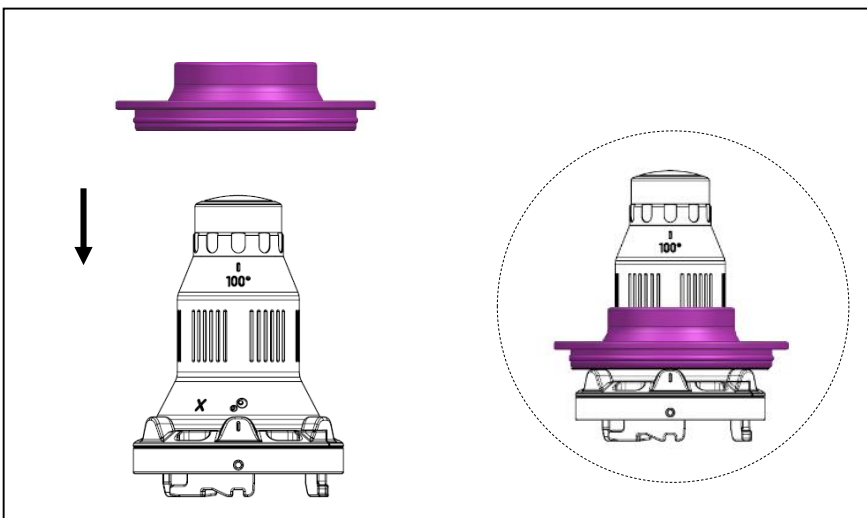
MOUNT WATER JACKET SET WITHOUT RELAY LENS



1. Mount the WJ rear gasket on EMWL focusing unit as shown.

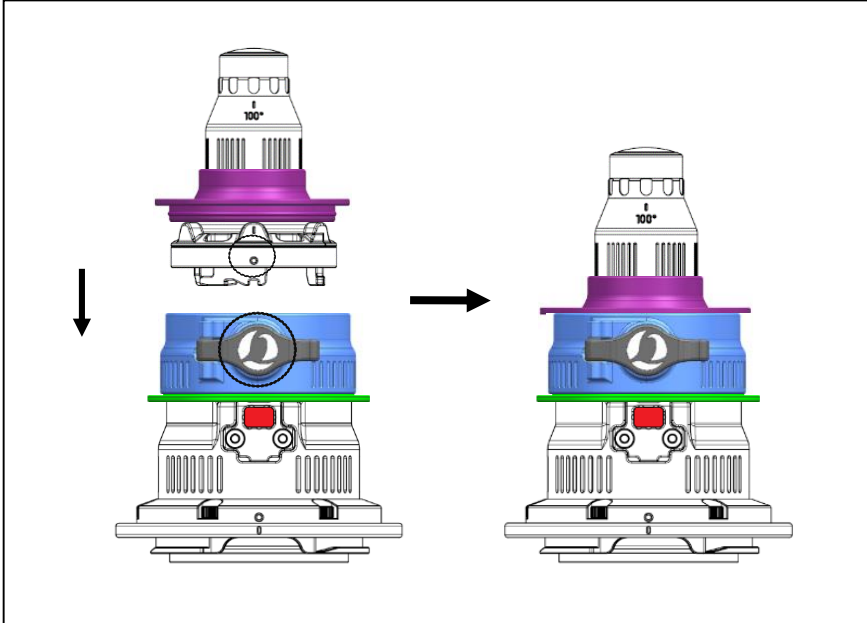


2. Align the water jacket with the red button on the focusing unit, gently press the water jacket into the gasket until it is sealed evenly.

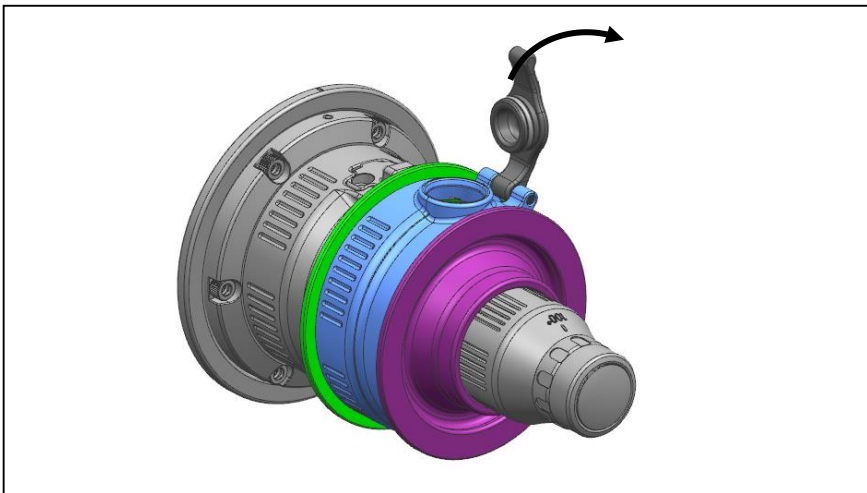


3. Mount the front gasket for objective lens as shown.

MOUNT WATER JACKET SET WITHOUT RELAY LENS



4. Align the "O" mark on the objective lens with the center cap of water jacket. Gently press the gasket (on the objective lens) into the jacket until it is sealed evenly.

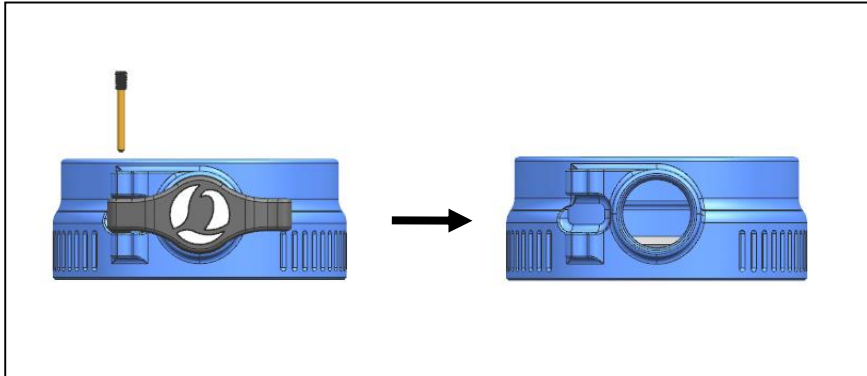


5. Lift the cap of water jacket open and fill the water jacket with clean water. Close the cap off after done.

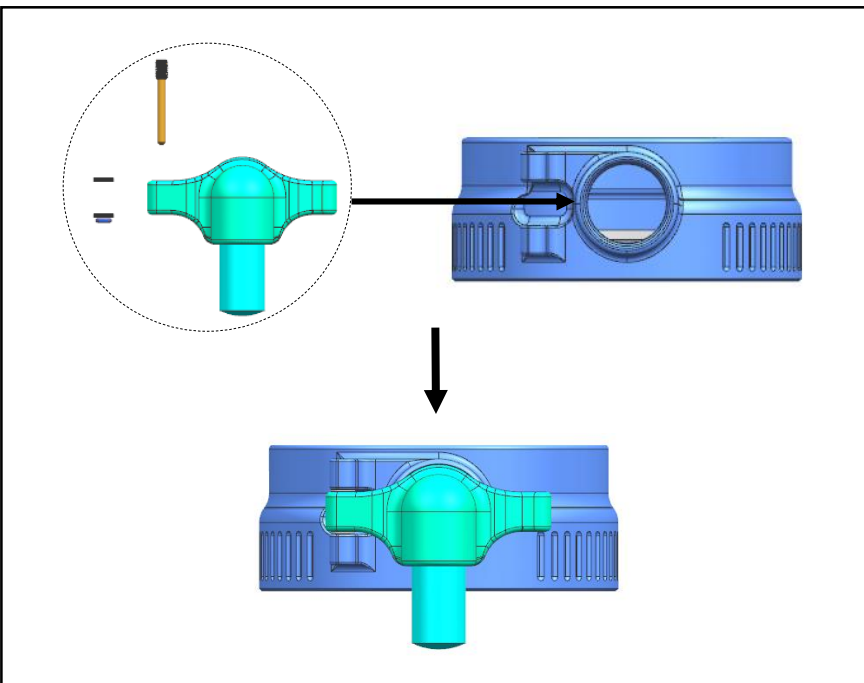
To disassemble, please reverse the above steps.

*** Please do not open the water jacket cap underwater. It is designed to use with clean water to prevent particles/dirt from getting into the module joints.**

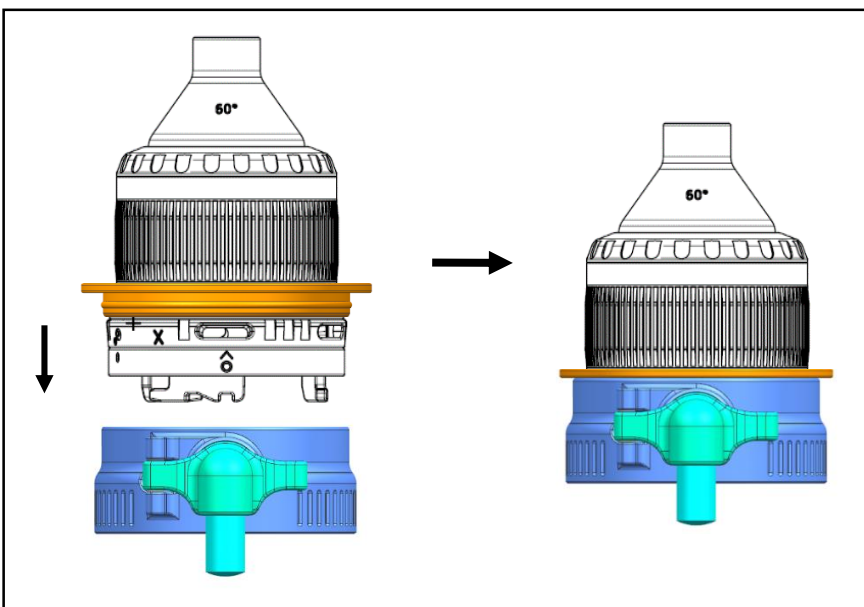
MOUNT FRONT GASKET FOR 60° OBJECTIVE LENS



1. Unscrew the hinge of the water jacket cap and remove it. Gently pull out the cap from the water jacket.



2. Install the special cap to the water jacket and tighten it with the provided screw pin.



3. Align the "O" mark on the objective lens with the center cap of water jacket. Gently press the gasket (on the objective lens) into the jacket until it is sealed evenly.

SPECIFICATIONS

#87522A Front Gasket for 60° Objective Lens

Materials: Silicone Rubber/Grey

Dimensions: DIA75.00mm × 8.80mm

#87522B Front Gasket for 160°/ 100° Objective Lens

Materials: Silicone Rubber/Grey

Dimensions: DIA72.40mm × 20.20mm

#87522C Front Gasket for 130° Objective Lens

Materials: Silicone Rubber/Grey

Dimensions: DIA72.40mm × 8.80mm

#87522R Water Jacket Rear Gasket

Materials: Silicone Rubber/Grey

Dimensions: DIA76.44mm × 8.95mm

#87522S Front Gasket for Straight Relay Lens

Materials: Silicone Rubber/Grey

Dimensions: DIA72.40mm × 10.73mm

#87521 Water Jacket Body

Materials: Aluminum Alloy with Hard Anodizing Surface Treatment

Dimensions: DIA73.00mm × 29.80mm

#87521C Special cap for Water Jacket use with 60° Objective Lens

Materials: Aluminum Alloy

Dimensions: /

CARE AND MAINTENANCE

- Soak the housing system in fresh water after each use, during which all control buttons/knobs should be operated a few times to avoid the accumulation of salt residue; wipe the housing with a towel before opening.
- After removing the housing from the rinse tank, carefully press the housing lock safety button for a few times to avoid the accumulation of salt residue.
- After each day of diving, it is advisable to have both the housing main O-ring and port O-ring removed from its groove with the O-ring remover and inspected for damage. Also check that the O-ring retains its original circular shape; never stretch the O-ring excessively or remove it with a sharp object. The O-ring groove should be cleaned to ensure it is free from any salt deposit or foreign material; lightly coat the O-ring with the provided lubricant before reinstalling it in the groove. A damaged O-ring should be discarded immediately and replaced only with one that is provided by NAUTICAM.

Remark:

Nauticam supports only e-manuals. Please download corresponding product manuals on google drive <https://bit.ly/Nauticammanual>, or contact us for e-manuals.

Please refer to "Nauticam Product Care and Maintenance Guide" for more details.